

Agilent InfinityLab Flex Bench MS System



Product description

Optimize your whole lab setup. The InfinityLab Flex Bench MS allows you to keep your InfinityLab LC/MSD Series and Ultivo LC-TQ systems in one stack with easy access to all areas. It Improves lab environments with a gas cartridge holder, an integrated solution for waste management and a Quiet Cover to reduce pump noise.

Product Name	InfinityLab Flex Bench MS system
Part Numbers	G6015A InfinityLab Flex Bench MS, without power strip (only available in Asia-Pacific)
	G6015B InfinityLab Flex Bench MS, with power strip (not available in Asia-Pacific)
Intended Use	The InfinityLab Flex Bench MS is designed for use with Agilent HPLC modules and InfinityLab LC/MSD Series and Ultivo (LC-TQ). Storing other instruments or materials has not been tested, and is not supported.
Accessories	See Component overview section

Physical specifications

Dimensions (depth × width × height)	See dimensions on page 3
Weight	55 kg (unloaded)
Material	Stainless steel, aluminum, carbon steel, plastic, epoxy powder coat

Operational specifications

Max. Load Per LC Shelf	50 kg
Max. Load Per MS Shelf	90 kg
Max. Load Overall	200 kg

Design characteristics/product capabilities

Overall/General	<ul style="list-style-type: none"> • Conforms to applicable requirements of laboratory bench, as stated in the Agilent Instrument Site Preparation Checklists for 1100/1200/1260 Infinity/1290 Infinity/1260 Infinity II/1290 Infinity II Series LC Instruments and the Ultivo LC-TQ Site Prep Guide and HW Site Prep Checklist. • Allows installation and correct operation of the LC instrument according to the Infinity II LC System Installation Guide if positioned on an even floor. • Allows installation and correct operation of the Ultivo LC-TQ system according to the Site Preparation Guide and Hardware Site Prep Checklist. • The InfinityLab Flex Bench MS is delivered unassembled, and requires assembly according to instructions. • Designed for indoor movement on hard, even and leveled surfaces (laboratory environment). • Stability tested according to 61010-1 IEC:2010 section 7.4.
LC Shelves	<ul style="list-style-type: none"> • Manual locking bolts prevent shelves from being released without intent. • Fixed in horizontal position by grids. • Front lip on LC shelves and locking buttons keep LC modules in position.
MSD Shelf	<ul style="list-style-type: none"> • Extendable • Operation according to FB-MS Installation and Operation Instructions
Uprights	<ul style="list-style-type: none"> • 55 grids for LC shelf positioning with 2 cm grid space
Casters	<ul style="list-style-type: none"> • 4x casters with integrated leveling pads; manual operation through a ratcheting mechanism
Handles	<ul style="list-style-type: none"> • Height adjustable • 200 mm grip length
Gas Filter Cartridge Holder	<ul style="list-style-type: none"> • Allows vertical mounting of two gas filter cartridges
Waste Bin	<ul style="list-style-type: none"> • Specially designed safety basin • Attachable to side pillars • Material: HDPE • Can host a 5 L waste can with GL38 threaded InfinityLab Stay Safe Cap with four ports and charcoal filter, plus MS source waste bottle.
Power Strip (available with Flex Bench MS G6015B only)	<ul style="list-style-type: none"> • Designed for use with IEC power cords. • All metal housing • 1x IEC 320 - C14 inlet and 8x IEC 320 - C13 outlets • 10 A, 230 VAC circuit breaker

Component overview

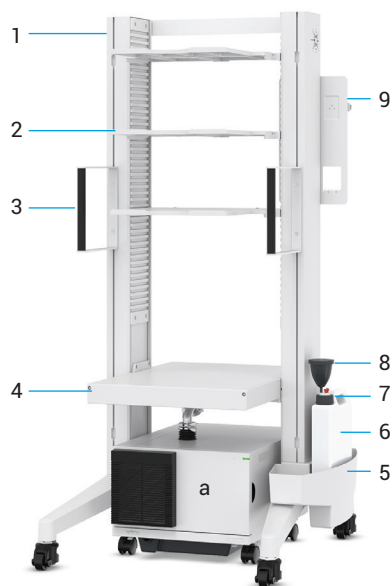


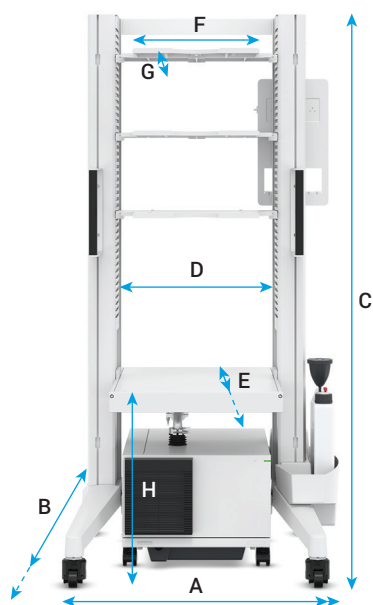
Table 1. Components included with Flex Bench MS system.

No.	Description	Comment	Part No. for Reordering
1	Main assembly (leg section, uprights, casters, and connection bridge)		NA
2	Shelf for LC modules	Comes with three each	5043-1750
3	Handles, adjustable		NA
4	MSD shelf		NA
5	Waste tray		NA
6	Waste container (5 L)		5043-1986
7	Stay Safe cap GL38, 4-port kit		5043-1695
8	Charcoal filter		5043-1193
9	Gas Filter Cartridge Holder		NA
Other parts included (not shown in picture)			
	Elbow connector 90°, 1 in NPT to 1 in Barb PP	Connector for MS waste drain	5043-1988
	NW 25 hinged clamp		0100-1398
	NW 25 centering ring with O-ring		0100-1551
	MS waste container		5043-1987
	Power cord	G6015B only, comes with four each	8121-2258

Table 2. Optional accessories for Flex Bench MS system.

Letter	Description	Part No.
a	Quiet Cover MS, for MS40 pump	G6011B
	Drawer	5043-1735
	Tray	5043-1725

Dimensions



Dimension	Comment	Value
A	Width	780 mm
	Width, including waste container	880 mm
B	Depth	850 mm
	Depth, with MS shelf extended	1,410 mm
C	Height (floor to top)	1,675 mm
D	Distance between pillars	470 mm
E	MSD shelf depth	690 mm
	MSD shelf extension distance	640 mm
F	LC shelf width at front	370 mm
G	LC shelf depth	460 mm
H	MSD shelf level above floor	550 mm

Applicable manufacturing, safety, and operational regulations

Quality statement

This product is designed and managed under a Quality Management System registered to ISO9001.

Applicable certifications for power strip (G6015B only)

Standards UL60950 and CSA C22.2 No. 60950, CSA certified, Standards C22.2 (No. 21-95 and No. 42-99), TÜV-GS certified, Standards EN60335-1 and EN60950-1, CE certified Registration number: AN 72031916 0001, cULus listed

www.agilent.com/chem

DE44303.4805324074

This information is subject to change without notice.

© Agilent Technologies, Inc. 2021
Printed in the USA, April 19, 2021
5994-0870EN